

REVISIONS	by

Engineer: Steven P. Westro  
 Address: 314 Wilburn Road  
 800-929-3726  
 Florida License # FE 56328

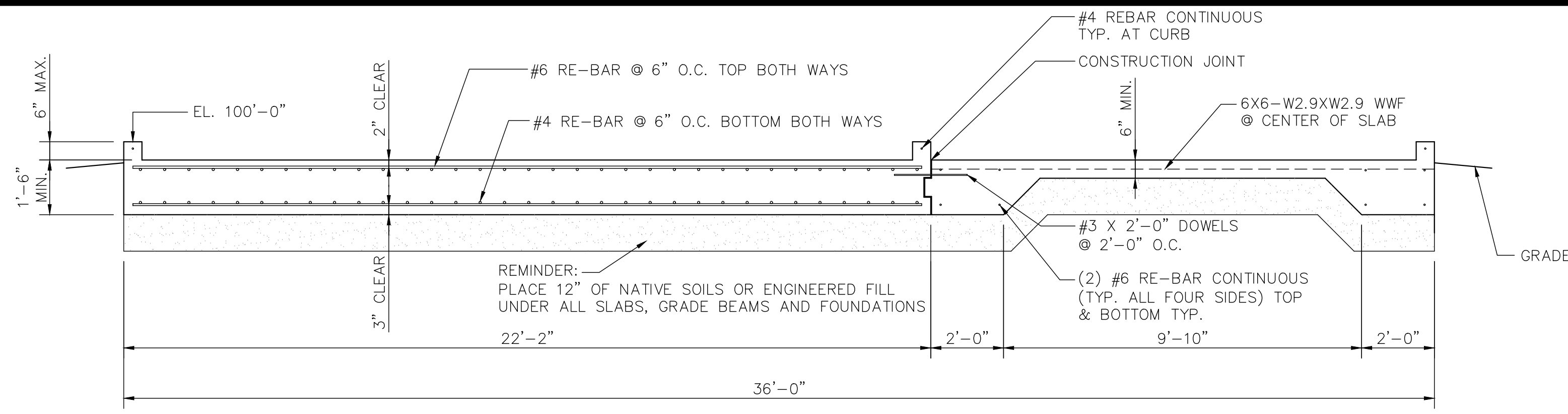
THIS DRAWING AND ALL PARTS THEREOF IS THE EXCLUSIVE PROPERTY OF FIRE FACILITIES, INC.,  
 314 WILBURN ROAD, SUN PRAIRIE, WI 53590  
 OFFICE: (608) 327-4100 FAX (608) 834-1843  
 AND MAY NOT BE REPRODUCED IN WHOLE OR PART WITHOUT WRITTEN PERMISSION.

**FIRE FACILITIES**  
 STEEL FIRE TRAINING TOWERS

FIRE FACILITIES, INC.  
 314 WILBURN ROAD, SUN PRAIRIE, WI 53590  
 OFFICE: (608) 327-4100 FAX: (608) 834-1843  
 TOLL FREE: (800) 929-3726 TOLL FREE FAX: (866) 639-7012  
 WWW.FIREFACILITIES.COM; INFO@FIREFACILITIES.COM

**WESCO MODEL WS-2**  
 CUSTOM  
 NICEVILLE, FL

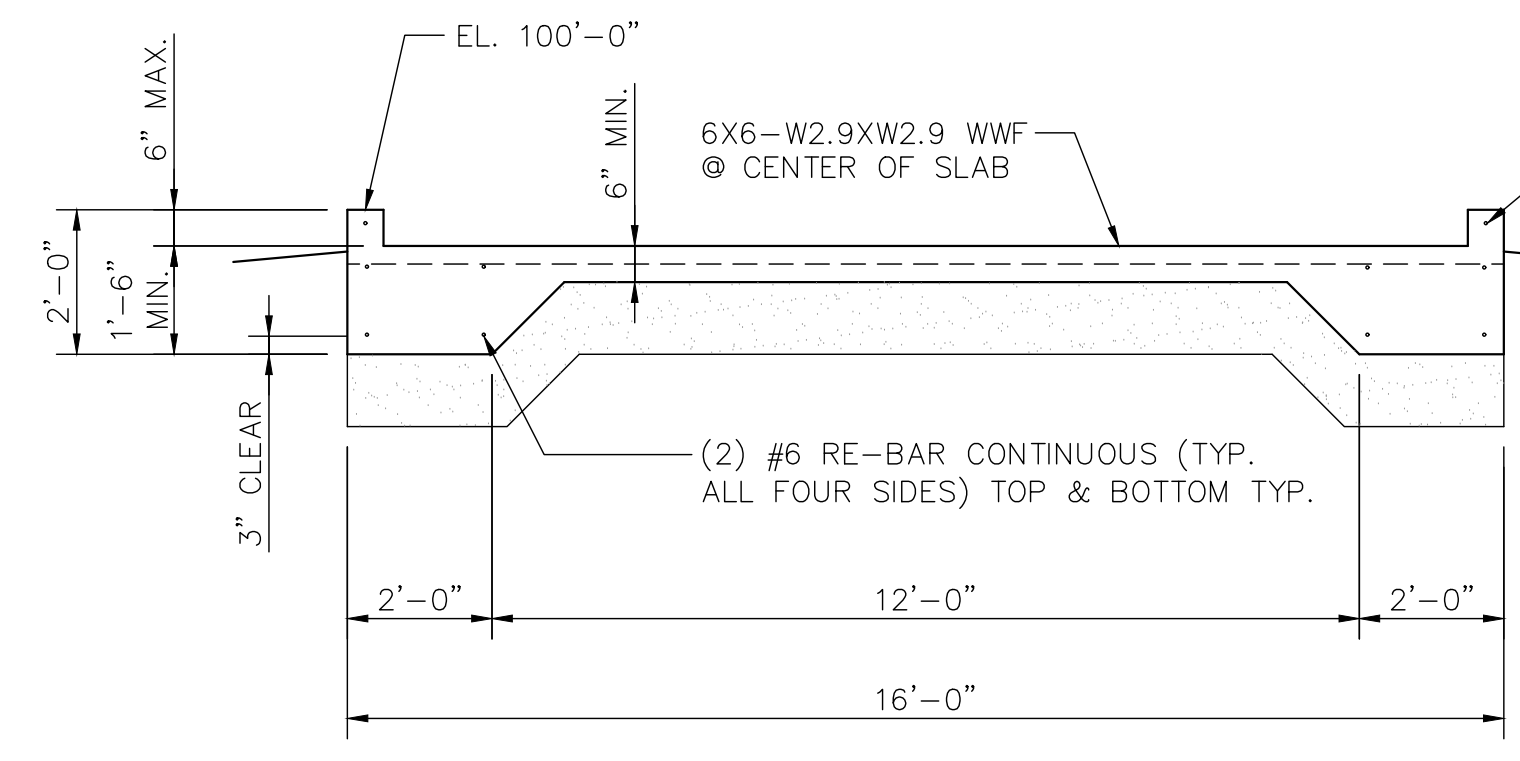
Job Description: FOUNDATION DESIGN  
 Date: JANUARY 11, 2023  
 Drawn by: DWK  
 Checked by:  
 Scale: SHOWN  
 Order No. FTE-816 / 267183  
 Sheet No.



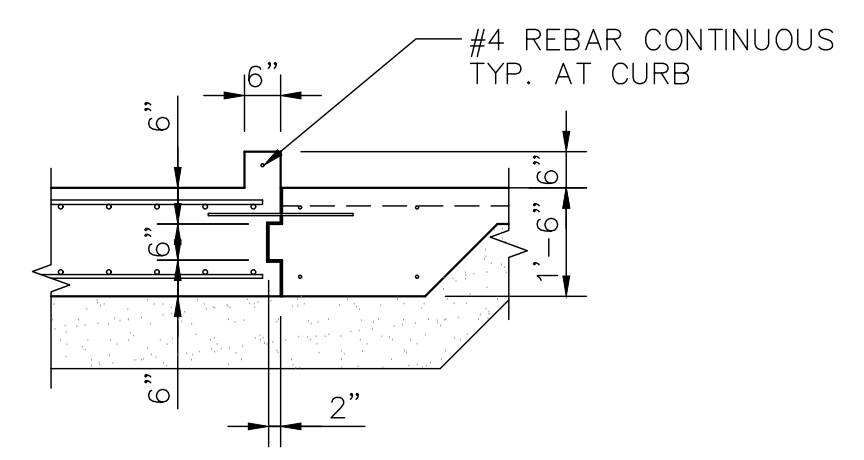
**TYPICAL SECTION A--A**  
scale: 3/8" = 1'-0"

**3/4" DIA. F1554 (GRADE 36) HEX HEAD BOLT DETAIL**  
scale: 1" = 1'-0"

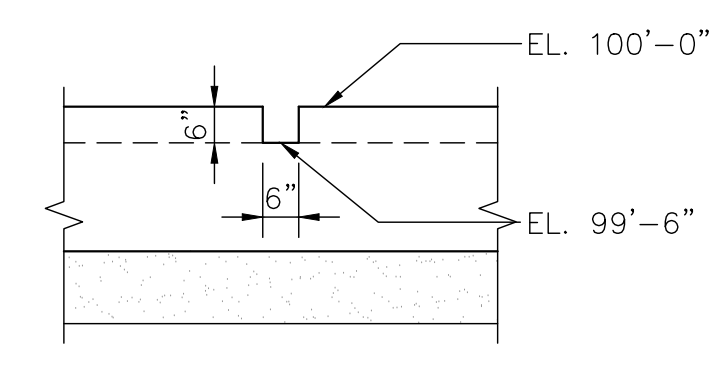
**ANCHOR BOLT PROJECTION DETAIL**  
scale: 1" = 1'-0"



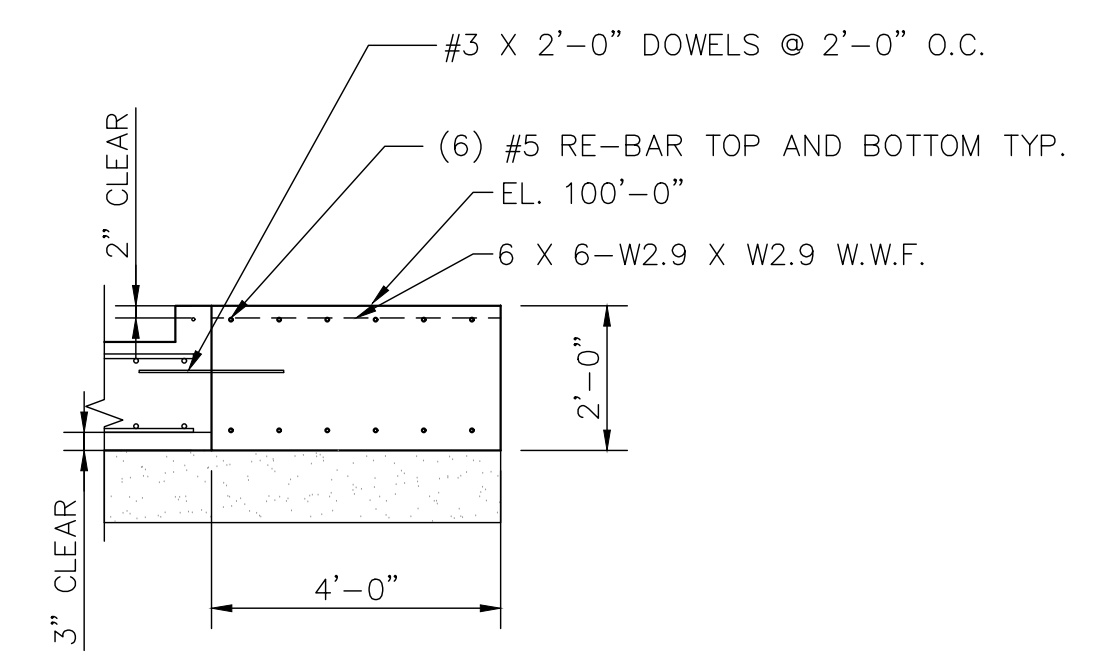
**TYPICAL SECTION B--B**  
scale: 3/8" = 1'-0"



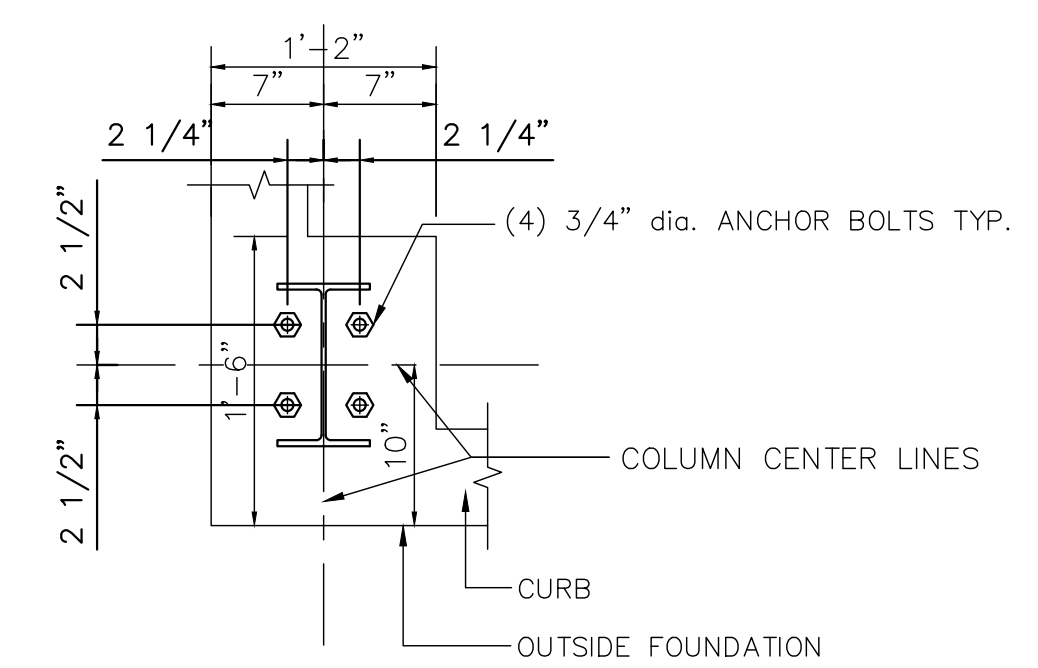
**TYPICAL SECTION C**  
scale: 3/8" = 1'-0"



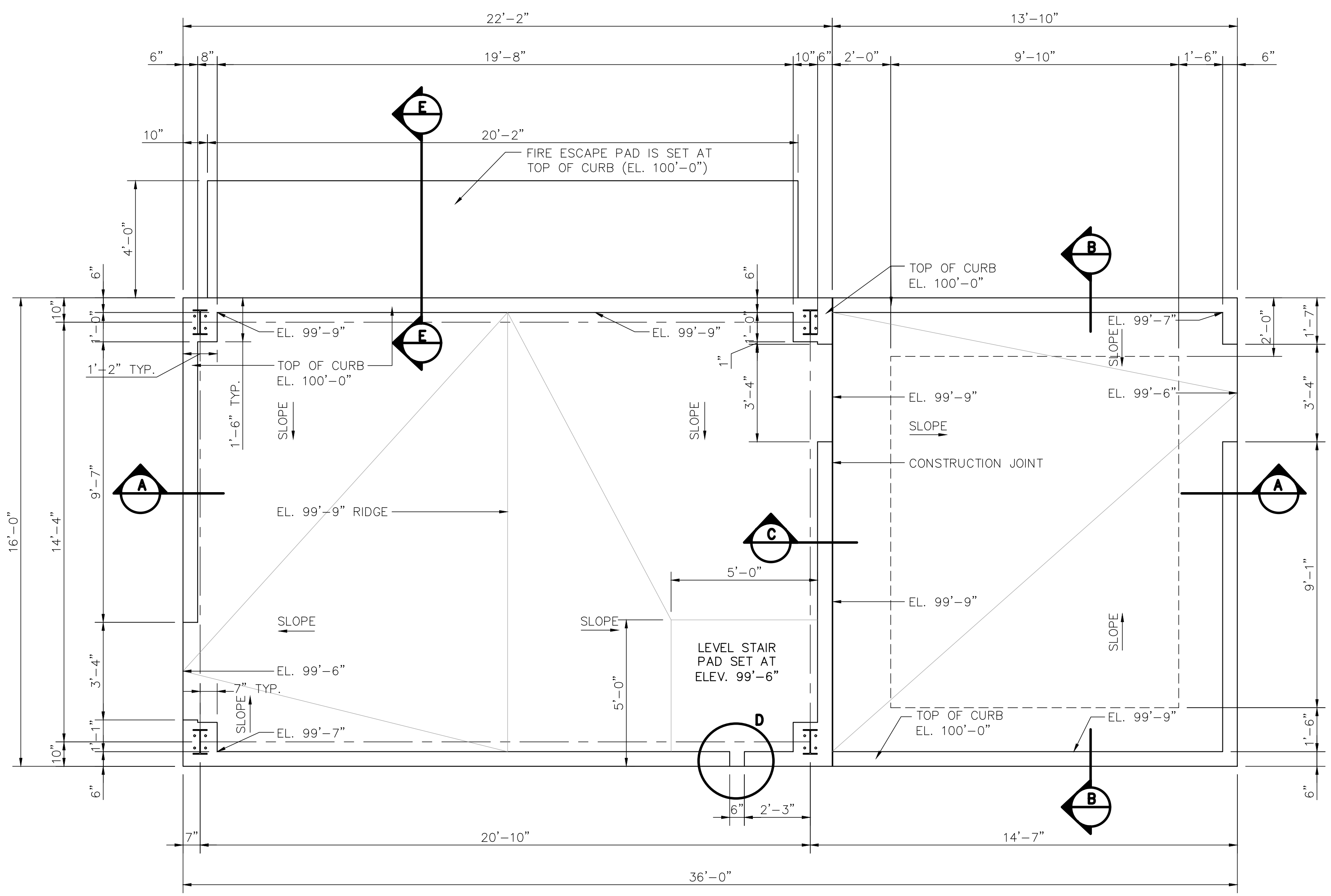
**FLOOR DRAINAGE DETAIL D**  
scale: 3/8" = 1'-0"



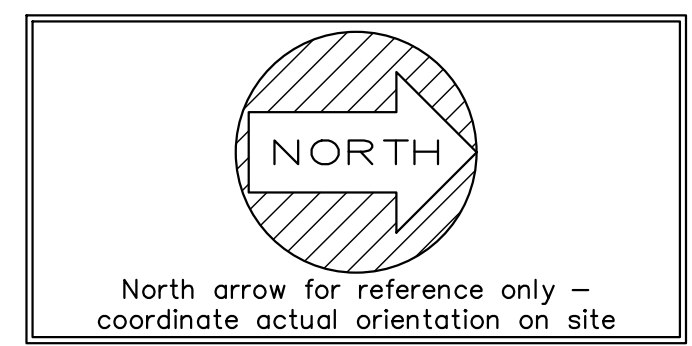
**TYPICAL SECTION E--E**  
scale: 3/8" = 1'-0"



**BOLT SETTING PATTERN**  
scale: 1" = 1'-0"



**FOUNDATION PLAN**  
SCALE: 3/8" = 1'-0"



NOTES:  
 1. ALL COLUMNS, FIRE ESCAPE PADS AND STUD WALLS ARE SET AT TOP OF CURB.  
 2. COORDINATE PLAN ELEVATIONS WITH SITE ELEVATIONS.

**CONCRETE & REINFORCING STEEL SPECIFICATIONS**

- SCHEDULE OF CONCRETE MIX REQUIREMENTS:
 

USE	28 DAY STRENGTH	SLUMP (INCH)	MAX AGGREGATE (INCH)
FLOOR SLABS	3000 PSI	3"	3/4"
WALLS & PIERS	3000 PSI	5"	3/4"
FOOTINGS/MATS	3000 PSI	5"	1 1/2"
- CONCRETE EXPOSED TO WEATHER (OUTSIDE SLABS, FLOOR SLABS, CURBS, ETC.) SHALL CONTAIN 4 TO 7 PERCENT AIR BY VOLUME
- NOT USED.
- CEMENT SHALL CONFORM TO ASTM C150, TYPE II; CONCRETE SHALL CONFORM TO ASTM C94.
- AGGREGATE SHALL CONFORM TO ASTM C-33.
- REINFORCING STEEL SHALL CONFORM TO ASTM A615-GRADE 60.
- WELDED WIRE FABRIC SHALL CONFORM TO ASTM A185.
- LAP ALL HORIZONTAL REINFORCING #6 AND GREATER 6'-0" AT SIDE LAPS AND 1'-4" (HOOK) AT CORNERS, MIN. LAP ALL HORIZONTAL REINFORCING #5 AND LESS 2'-6" AT SIDE LAPS AND 1'-0" (HOOK) AT CORNERS, MIN. LAP ALL WELDED WIRE FABRIC 8" AT SIDE AND END LAPS.
- SITE SHALL BE PREPARED AS RECOMMENDED IN SOIL REPORT PREPARED BY NOVA ENGINEERING AND ENVIRONMENTAL LLC OF PENSACOLA, FL - DATED JAN. 10, 2023. FOUNDATION IS DESIGNED FOR A SOIL BEARING OF 1500 PSF PLEASE NOTIFY PROFESSIONAL IN CHARGE OF THE SOIL REPORT OF ANY UNUSUAL SOIL CONDITIONS.
  - ALL COMPACTION OF NATIVE SOILS OR ENGINEERED FILL SHALL BE DONE USING NON-VIBRATORY METHODS PER THE SOIL REPORT.
  - ENSURE ADEQUATE SITE DRAINAGE PER SOIL REPORT.
- COMPACT FILL UNDER FLOOR SLABS, GRADE BEAMS AND FOUNDATIONS 98% TO DENSITY. PLACE 12 INCHES OF COMPACTED NATIVE SOILS OR ENGINEERED FILL UNDER ALL SLABS, GRADE BEAMS AND FOUNDATIONS. REMOVE ALL MATERIAL UNDER THE FOOTINGS THAT DO NOT COMPLY WITH A SOIL BEARING PRESSURE REQUIRED. REPLACE THIS MATERIAL WITH ENGINEERED FILL UNDER ALL FOOTINGS (98% COMPACTION) IN 12" LIFTS.
- PLACE CONTROL JOINTS AT 15'-0" O.C. MAXIMUM IN EACH DIRECTION FOR ALL FLOOR SLABS
- FIBERMESH SHOULD BE INCORPORATED IN ALL CONCRETE FLOOR SLABS TO MINIMIZE THERMAL CRACKING.